



- 可提供多种轴长和轴端形式
More shaft length & shape are available
- 功率大, 阻值稳定
High power, stable resistance
- 盒式包装
Packed in boxes

WX25 功率型线绕电位器
WX25 Power Wire-Wound Potentiometer

★ **电特性**

Electrical Characteristics

- ▲ 标称阻值范围
Range of nominal resistance
2.2Ω~8.2KΩ
- ▲ 阻值允许偏差 Resistance tolerance
±10%
- ▲ 终端电阻 Terminal resistance
≤0.2% or 0.1Ω
- ▲ 绝缘电阻 Insulation resistance
R_I ≥ 1GΩ (500Vdc)
- ▲ 绝缘电压 Insulation voltage
1000Vac
- ▲ 最高发热温度 Max heating temperature
300°C

★ **环境特性**

Environment Characteristics

- ▲ 额定功率 Rated power
25W @ 85°C, 0W @ 300°C
- ▲ 温度范围 Temperature range
-55°C~+300°C
- ▲ 振动 Vibration
10~200HZ, 40m/s², 3h
ΔR ≤ ±3%R
- ▲ 温度循环 Thermal cycles
-55°C, 30min, 85°C, 30min
循环3次
ΔR ≤ ±3%R, R_I ≥ 500MΩ
- ▲ 受潮 Moisture
40±2°C, RH: 95%~98% 48h
ΔR ≤ ±3%R, R_I ≥ 100MΩ
- ▲ 负荷耐磨 Load Wear-resistance
R ≤ 1KΩ: 10000 cycles
R > 1KΩ: 1000 cycles
ΔR ≤ ±5%R
- ▲ 冲击 Collision
60~100次/min, 150m/s², 4000次
电气接触良好, 无机伤
- ▲ 离心 Centrifugal
150m/s², 5min, 3次
(单向, 平滑, 连续, 无机伤)

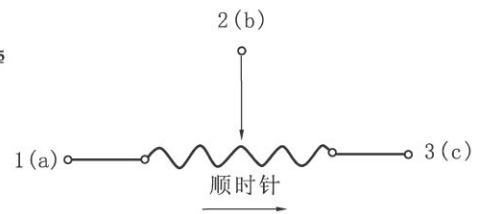
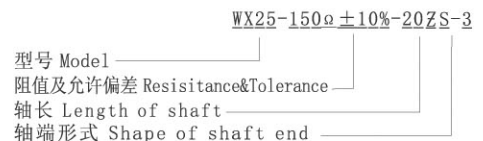
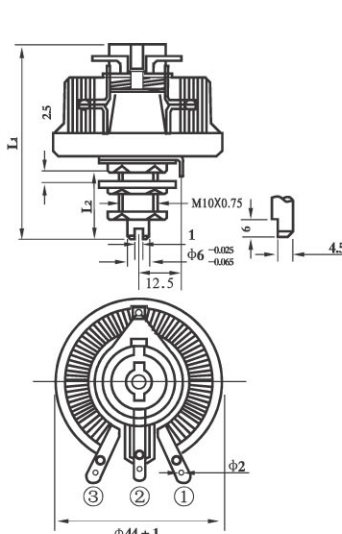
★ **物理特性**

Physical Characteristics

- ▲ 总机械行程 Total mechanical travel
280° ±10°
- ▲ 起动力矩 Starting torque
≤0.15N.m
- ▲ 标志 Mark
型号、标称阻值、允许偏差、制造年月、商标
Type, nominal resistance, resistance tolerance
Manufacture date, Trade mark
- ▲ 标准包装 Standard package
10只/盒 10 pcs/box

尺寸 Dimensions: (mm)

订购指南 How To Order



★ **标称阻值表**

Standard Resistance Table

ZS-3 (铣槽) ZS-3 (Milling slot)		ZS-5 (铣平面) ZS-5 (Milling plat)	
L2 (mm)	L1 (mm)	L2 (mm)	L1 (mm)
20	59	25	63

阻值 (Ω) Resistance	阻值 (Ω) Resistance
2.2	150
2.7	180
3.3	220
3.9	270
4.7	330
5.6	390
6.8	470
8.2	560
10	680
12	820
15	1K
18	1.2K
22	1.5K
27	1.8K
33	2.2K
39	2.7K
47	3.3K
56	3.9K
68	4.7K
82	5.6K
100	6.8K
120	8.2K

总规范: GB/T15298-94
General specification: GB/T15298-94
详细规范: Q/RU141-1995
Detail specification:
Q/RU141-1995