

- 可提供工业级、普军级及七专产品
- 多指刷专利号ZL 96 2 33419.7

### WIW21(3006P)型玻璃釉预调电位器 WIW21(3006P) Cermet Trimmer

#### ★ 电特性

##### Electrical Characteristics

- ▲ 标称阻值范围 Range of nominal resistance  
10Ω~2.2MΩ
- ▲ 阻值允许偏差 Resistance tolerance  
±10%, ±20%
- ▲ 终端电阻 Terminal resistance: ≤2Ω
- ▲ 接触电阻变化 Contact resistance variation  
CRV≤1%R 或 5Ω
- ▲ 绝缘电阻 Insulation resistance  
R<sub>i</sub>≥1GΩ
- ▲ 耐压 Withstand voltage  
640Vac
- ▲ 极限动触点电流 Limit current of moving contact  
100mA
- ▲ 有效电行程 Effective Electrical travel  
>12圈,

#### ★ 环境特性

##### Environment Characteristics

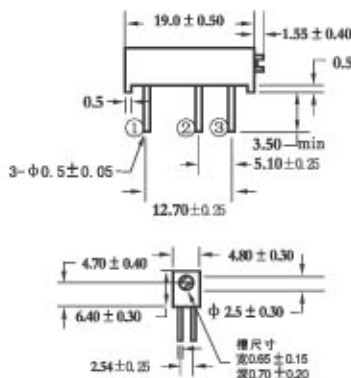
- ▲ 额定功率 Rated power (315V max)  
0.75W@70℃, 0W@125℃
- ▲ 温度范围 Temperature range  
-55℃~+125℃
- ▲ 温度系数 TCR: ≤±250×10<sup>-4</sup>/℃
- ▲ 温度变化 Temperature vaeation  
-55℃, 30min, +125℃, 30min 5次  
ΔR≤±(3%R+0.1Ω),  
Δ(U<sub>ab</sub>/U<sub>ac</sub>)≤±2%
- ▲ 碰撞 Collision  
390m/s<sup>2</sup>, 4000 次  
ΔR≤±(2%R+0.1Ω)
- ▲ 振动 Vibration: (10~500) HZ,  
0.75mm 或 98m/s<sup>2</sup>, 6h ΔR≤±(2%R+0.1Ω),  
Δ(U<sub>ab</sub>/U<sub>ac</sub>)≤±3%
- ▲ 气候顺序 Climate category: IEC68-2-2等  
ΔR≤±(5%R+0.1Ω), R<sub>i</sub>≥100MΩ
- ▲ 70℃ 电气耐久性 Endurance at 70℃  
0.75W, 1000h ΔR≤±(5%R+0.1Ω),  
CRV≤5%R或5Ω
- ▲ 机械耐久性: Mechanical endurance  
200周  
ΔR≤±(5%R+0.1Ω), CRV≤5%R或5Ω
- ▲ 稳态湿热 Steady damp heat  
IEC68-2-3, Ca, 96h  
ΔR≤±(5%R+0.1Ω), R<sub>i</sub>≥100MΩ

#### ★ 物理特性

##### Physical Characteristics

- ▲ 总机械行程 mechanical travel  
22±5圈
- ▲ 起动力矩 Starting to torque  
≤35mN·m
- ▲ 标志 Mark  
阻值代码、阻值允许偏差(±10%不标注)、产品型号  
Resistance code, resistance  
tolerance(±10% no indication), Type
- ▲ 标准包装 Standard package  
50只/盒, 100只/盒, 25只/管  
50 pcs/box, 100pcs/box, 25pcs/tube

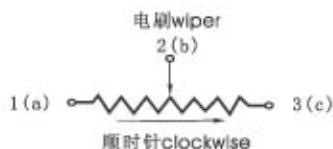
#### 尺寸 Dimensions: (mm)



公差: 除注明外均为±0.25  
tolerance is ±0.25, if no identification.

#### 订购指南 How To Order

型号 Model 3006P-103  
式样 Style  
阻值代码 Resistance Code



#### ★ 标称阻值表

##### Standard Resistance Table

阻值(Ω) Resistance	阻值代码(Ω) Resistance Code
10	100
20	200
50	500
100	101
200	201
500	501
1K	102
2K	202
5K	502
10K	103
20K	203
50K	503
100K	104
200K	204
500K	504
1M	105
2M	205
2.2M	225

总规范: GB/T 15298-94  
General specification: GB/T 15298-94  
详细规范: Q/RU130-1995  
Detail specificatin: Q/RU130-1995